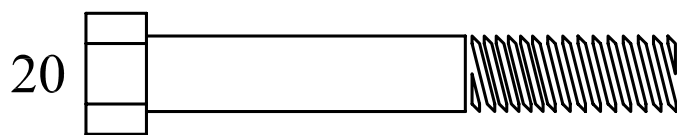
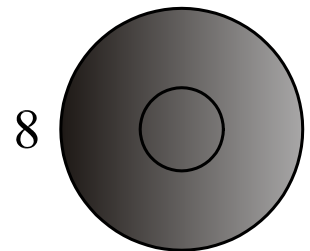
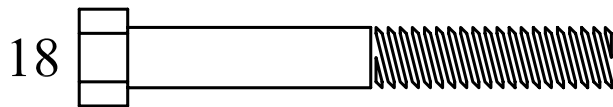
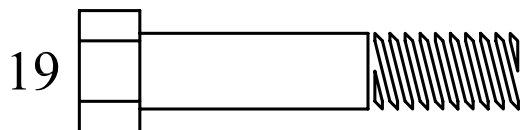
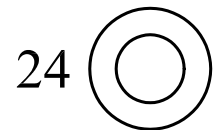
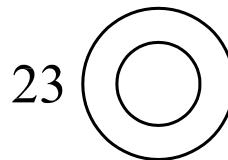
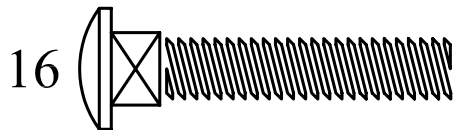




FOLD & STORE JUDGE'S STAND #STJUDFOLBM

ITEM	PART	QTY	ITEM	PART	QTY
1.	Upright	1 ea	14.	Non-slip sand paper	1 ea
2.	Leg	2 ea	15.	Lock pin	2 ea
3.	Platform brace	2 ea	16.	Carriage bolt M8x45	8 ea
4.	Platform	1 ea	17.	Hex bolt M8x25	2 ea
5.	Top rung	1 ea	18.	Hex bolt M8x65	4 ea
6.	Rung	3 ea	19.	Hex bolt M10x50	2 ea
7.	Caster	2 ea	20.	Hex bolt M10x70	2 ea
8.	Nylon washer	2 ea	21.	Lock nut M8	12 ea
9.	Rubber pad	2 ea	22.	Lock nut M10	6 ea
10.	Crutch tip	2 ea	23.	Washer M8	18 ea
11.	End plug 25mmx50mm	4 ea	24.	Washer M10	12 ea
12.	End plug 32mmdia	2 ea	25.	Cable with quick link	1 ea
13.	Non-slip sand paper	5 ea			

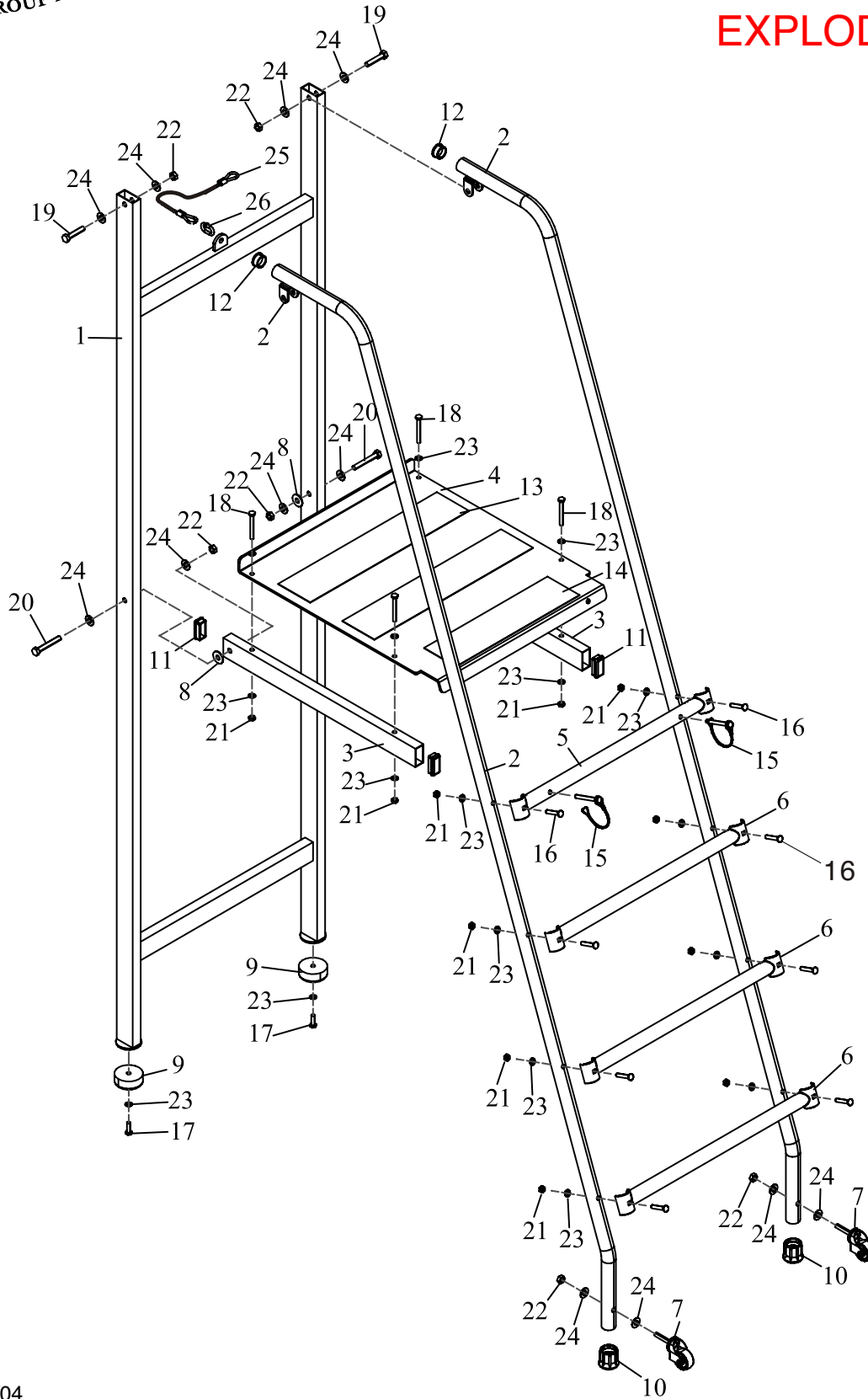


STJUDFOL 03/04





FOLD & STORE JUDGE'S STAND #STJUDFOLBM EXPLODED VIEW

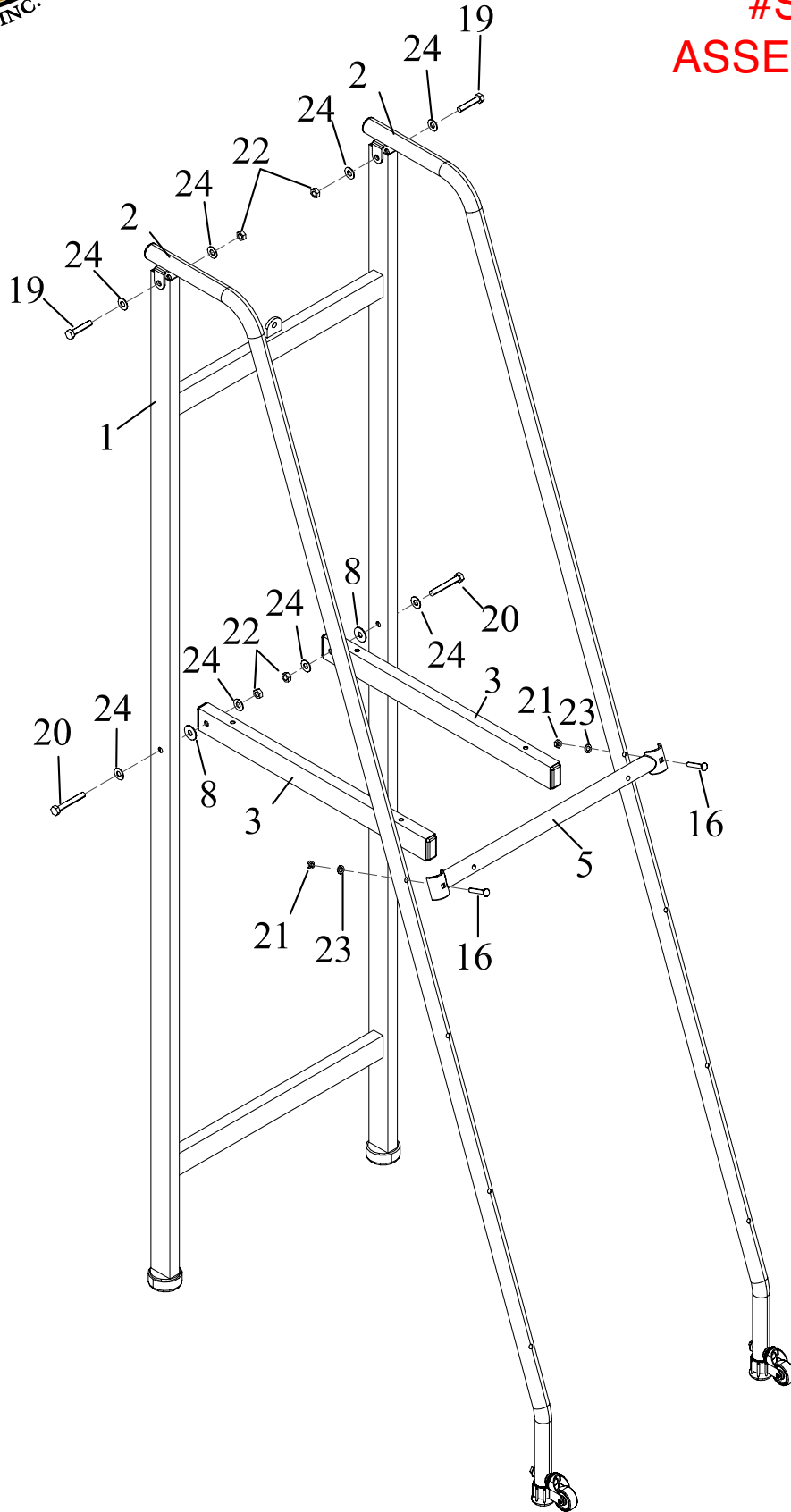


STJUDFOL 03/04





FOLD & STORE JUDGE'S STAND #STJUDFOLBM ASSEMBLY STEPS



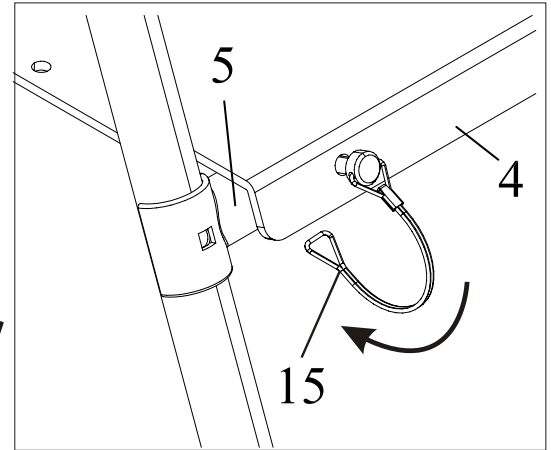
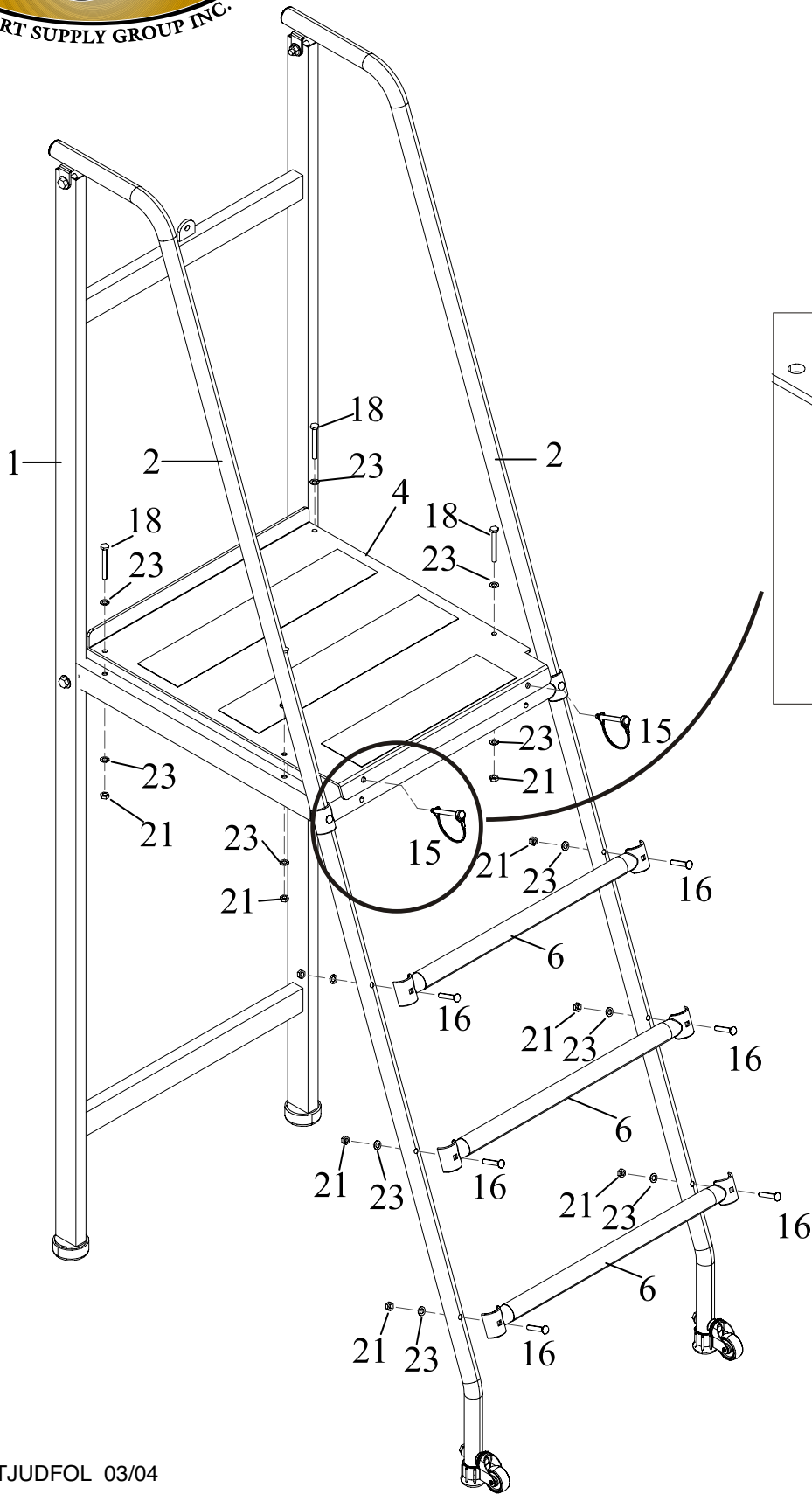
STJUDFOL 03/04





FOLD & STORE JUDGE'S STAND #STJUDFOLBM ASSEMBLY STEPS

Always clip wire lock
on Pin when in use



STJUDFOL 03/04

