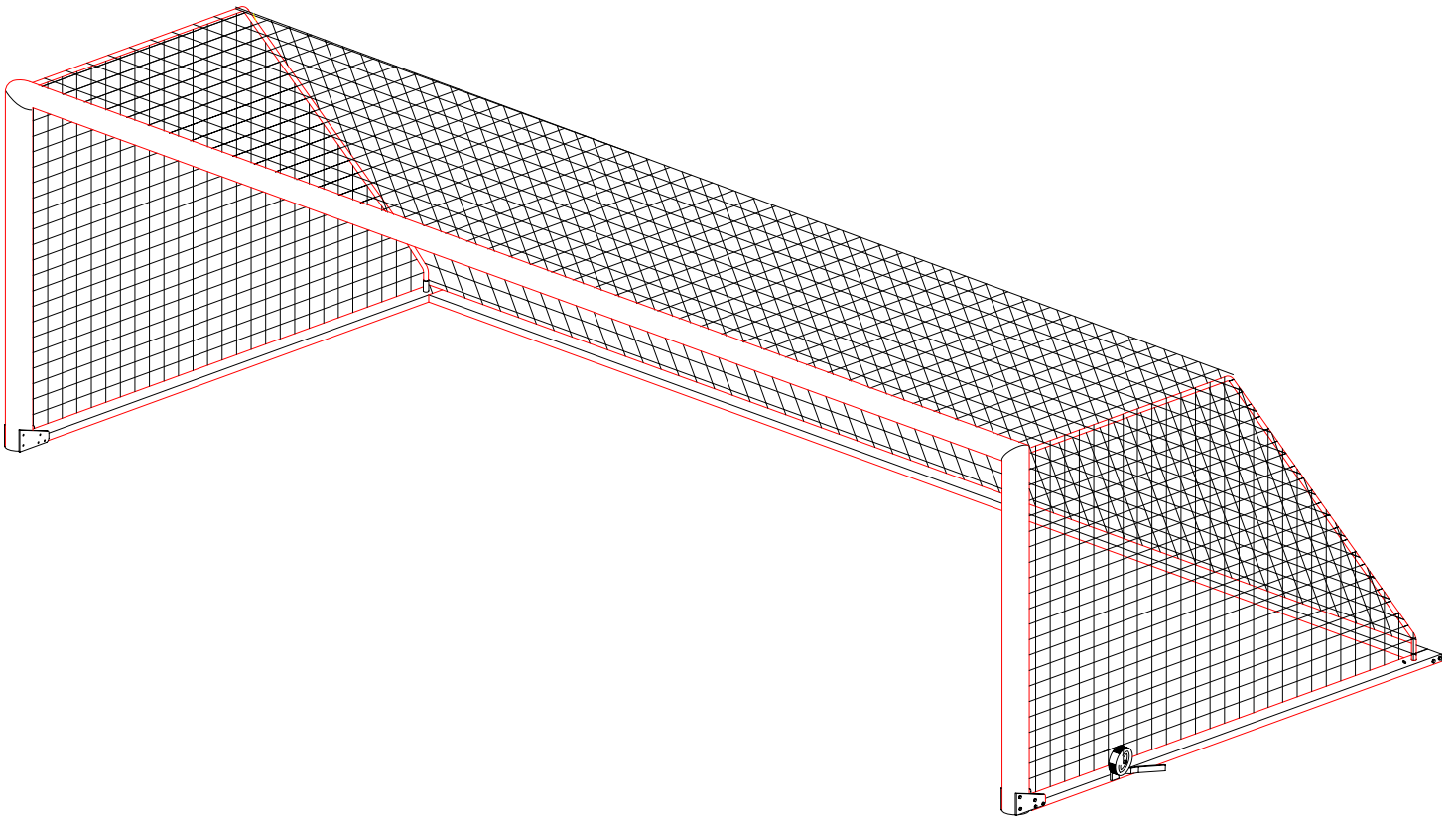




ROLL & FOLD SOCCER GOAL #STFRSOCG



STFRSOCG





ROLL & FOLD SOCCER GOAL #STFRSOCG

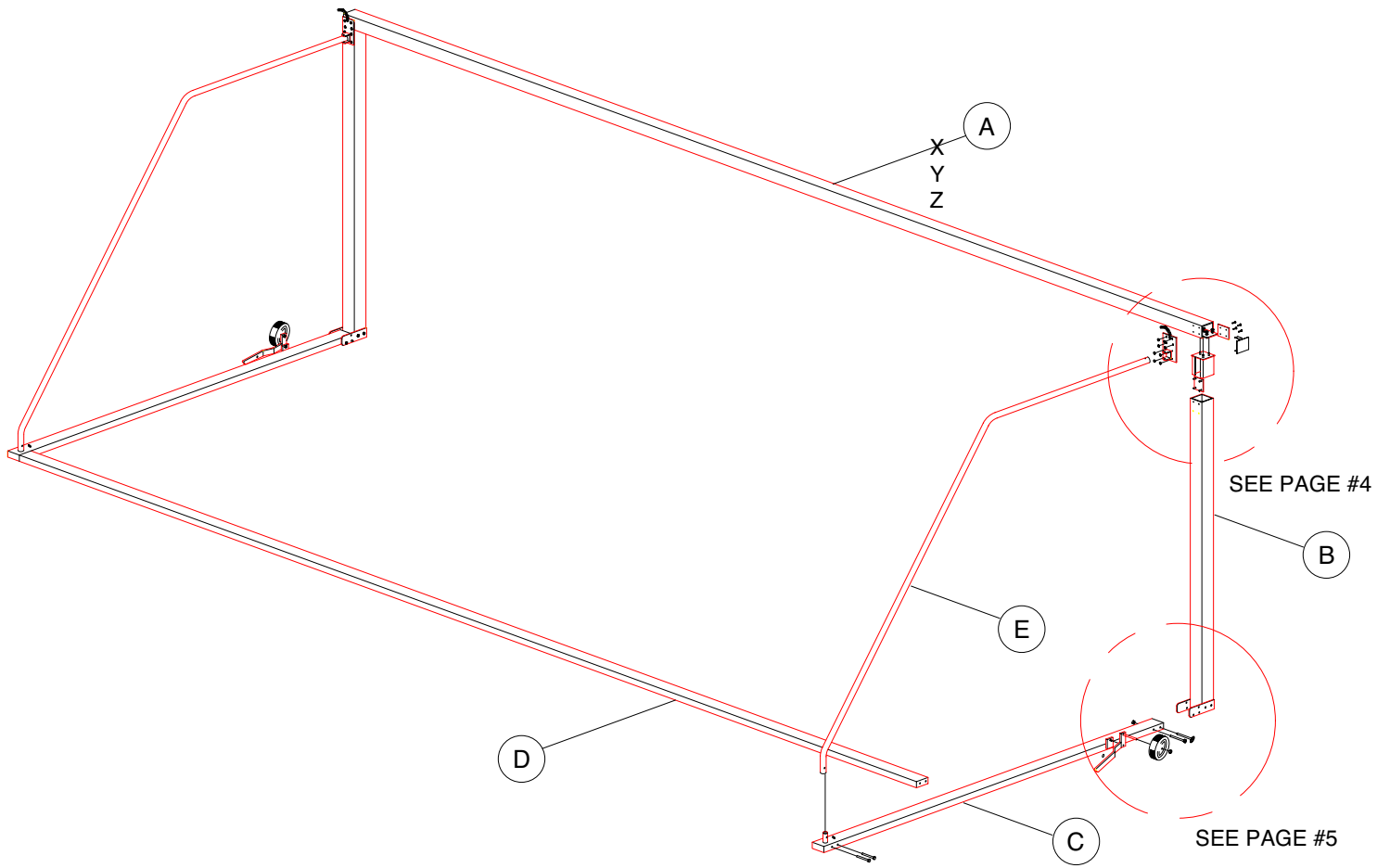
ITEM	PART	QTY	PART No.
A	Cross Bar	2 each	Z696XBARXX
B	Legs	2 pair	Z696OV10RL
C	Side Base	2 pair	Z6602X4X9B
D	Back Base	1 pair	Z6602X4224B
E	Backstay	4 each	Z660ALBSXE
F	Corner Connector	4 each	Z147TOPCCX
G	Corner Bracket- Right (not shown)	2 each	Z696FRCBRT
H	Corner Bracket- Left	2 each	Z696FRCBLF
I	Clamp Block	8 each	Z69605X1CB
J	Hex Bolt 5/16" x 1"	16 each	Z041312100
K	Washer 5/16"	32 each	Z070031Z/P
L	Flat Hd Bolt 5/16" x 1"	32 each	Z049312181
M	Hex Bolt 3/8" x 3"	4 each	Z041375300
N	Locknut 3/8"	8 each	Z060375-16
O	Washer 3/8"	8 each	Z070037Z/P
P	Goal Bracket (bottom)	8 each	Z660PPXXXB
Q	Leg Support	4 each	Z147LSXXX
R	Hex Bolt 5/16" x 1 1/4"	16 each	Z041312125
S	Hex Bolt 1/2" x 5 1/2"	4 each	Z041500550
T	Hex Bolt 3/8" x 5"	4 each	Z041375500
U	Washer 1/2"	12 each	Z070050Z/P
V	Locknut 1/2"	8 each	Z060500NLN
W	Nylon Washer 1/2"	8 each	Z070050NLN
X	Hitch Pin 1/2" x 5"	4 each	Z091500500
Y	Hold Down Angle	4 each	Z660HOLDDA
Z	Hex Bolt 1/2" x 5"	8 each	Z0415005G8
AA	Hitch Pin 1/2" x 2 1/2"	4 each	Z091500250
BB	Hold Down Stake	4 each	Z660HOLDDS
CC	Rubber Plug	4 each	Z080#77-8X
DD	Handle- Right (not shown)	2 each	Z660RHANDX
EE	Handle- Left	2 each	Z660LHANDX
FF	Stripper Bolt 1/2" x 1/2"	4 each	Z04850005S
GG	Wheel 10	4 each	Z40241035X
HH	Safety Cap (Black)	4 each	Z08950X198
II	Hand Grip (Red)	4 each	Z08925X150
JJ	Net Clips	60 each	Z099NETCLP
KK	Net Hooks	1 set	STEURCLP
LL	Hex Key 3/16" (not shown)	1 each	Z031187HEX
MM	Hex Key 1/4" (not shown)	1 each	Z031250HEX

STFRSOCG





ROLL & FOLD SOCCER GOAL #STFRSOCG

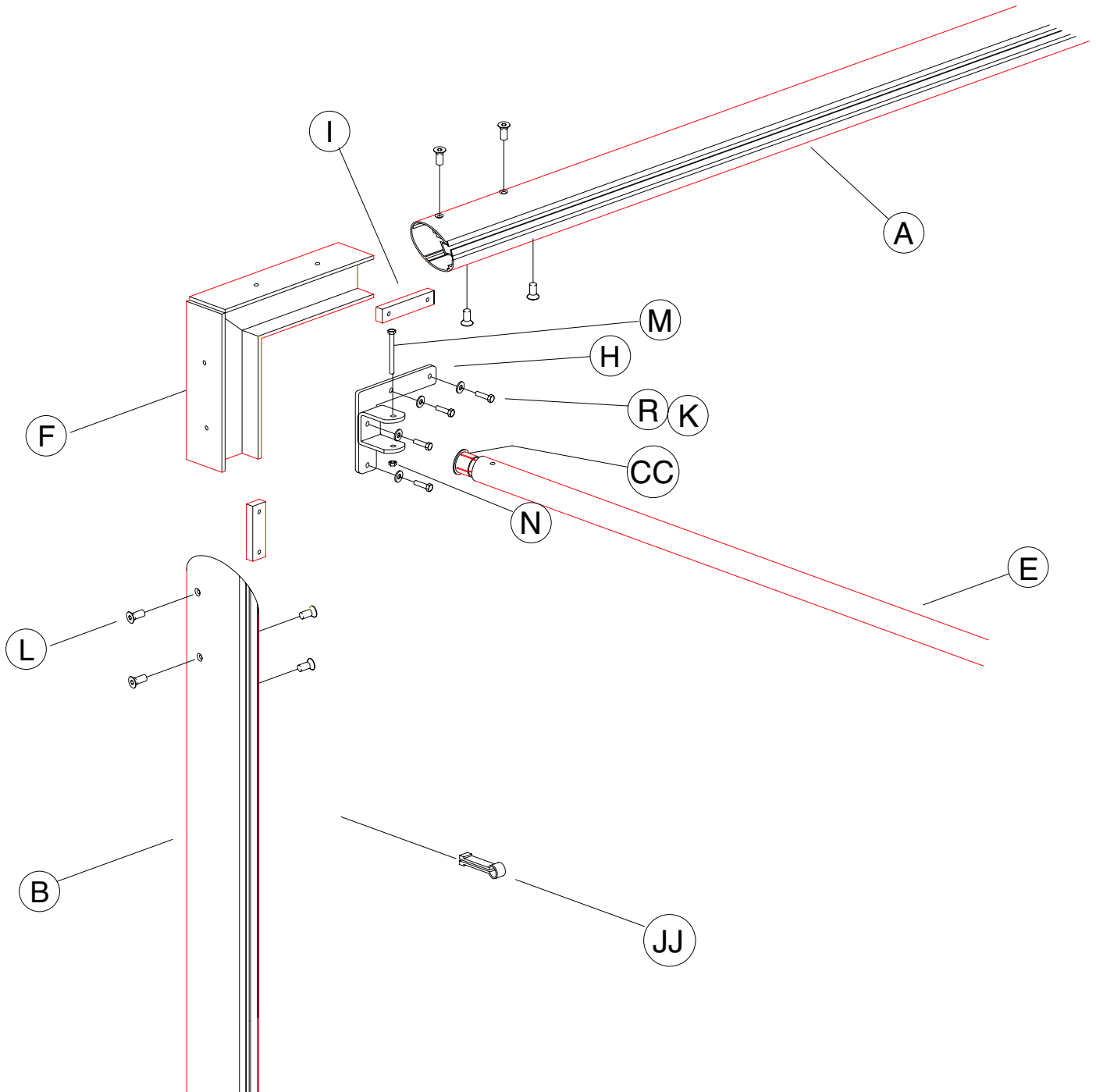


STFRSOCG





ROLL & FOLD SOCCER GOAL #STFRSOCG TOP CORNER ASSEMBLY



NOTE: The Grey Rubber Plug will need to be drilled with a 25/64" drill bit to allow the Bolt (Item M) to go through.

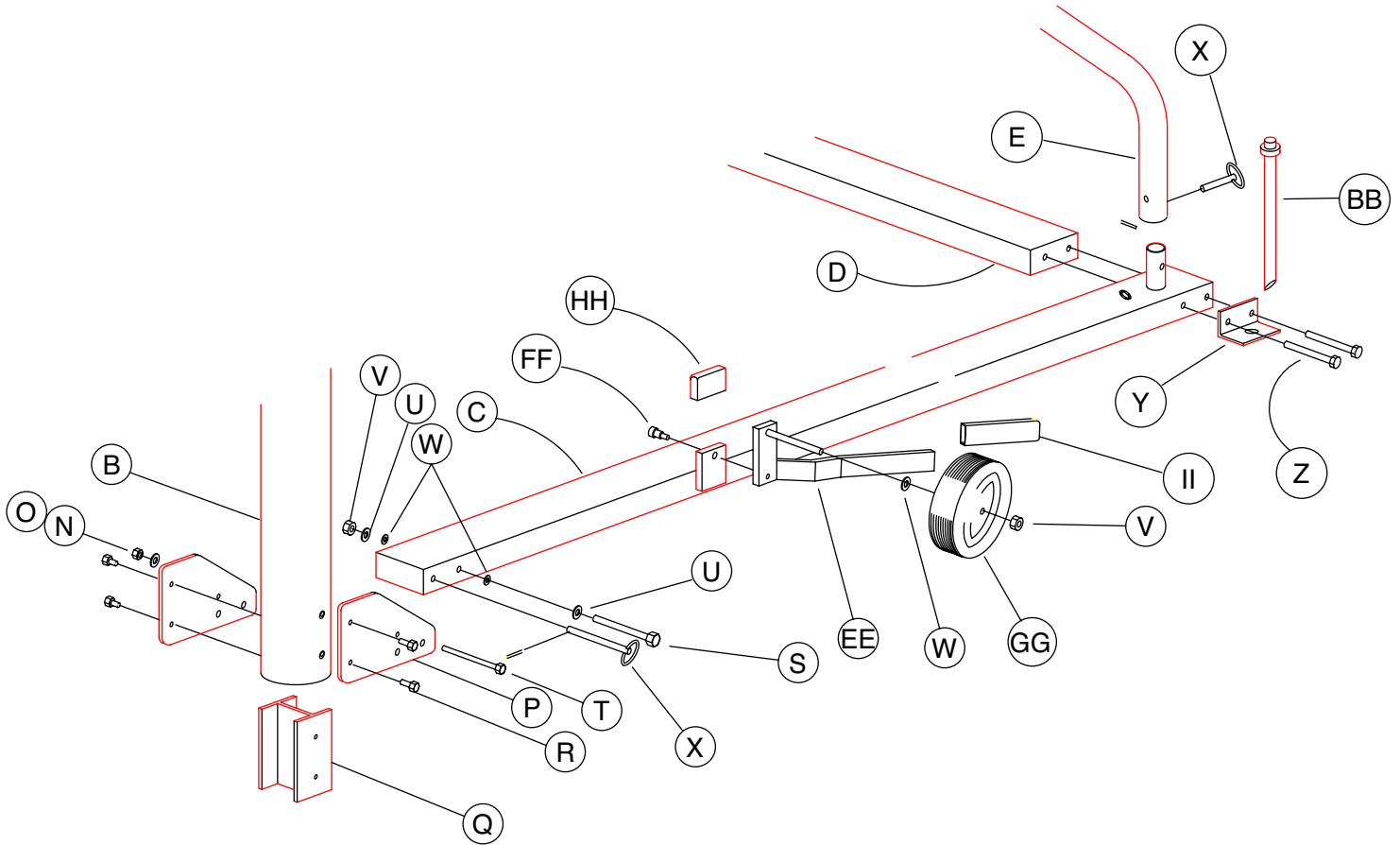
STFRSOCG





ROLL & FOLD SOCCER GOAL #STFRSOCG BASE ASSEMBLY

Insert Nylon Washers in between
Pivot Plates and Base.



A Padlock should be used in place of
Pin X for better security



WARNING



Wheel and Pivot Assembly DD, EE
& GG must be removed and
Safety Cap HH put on before play.

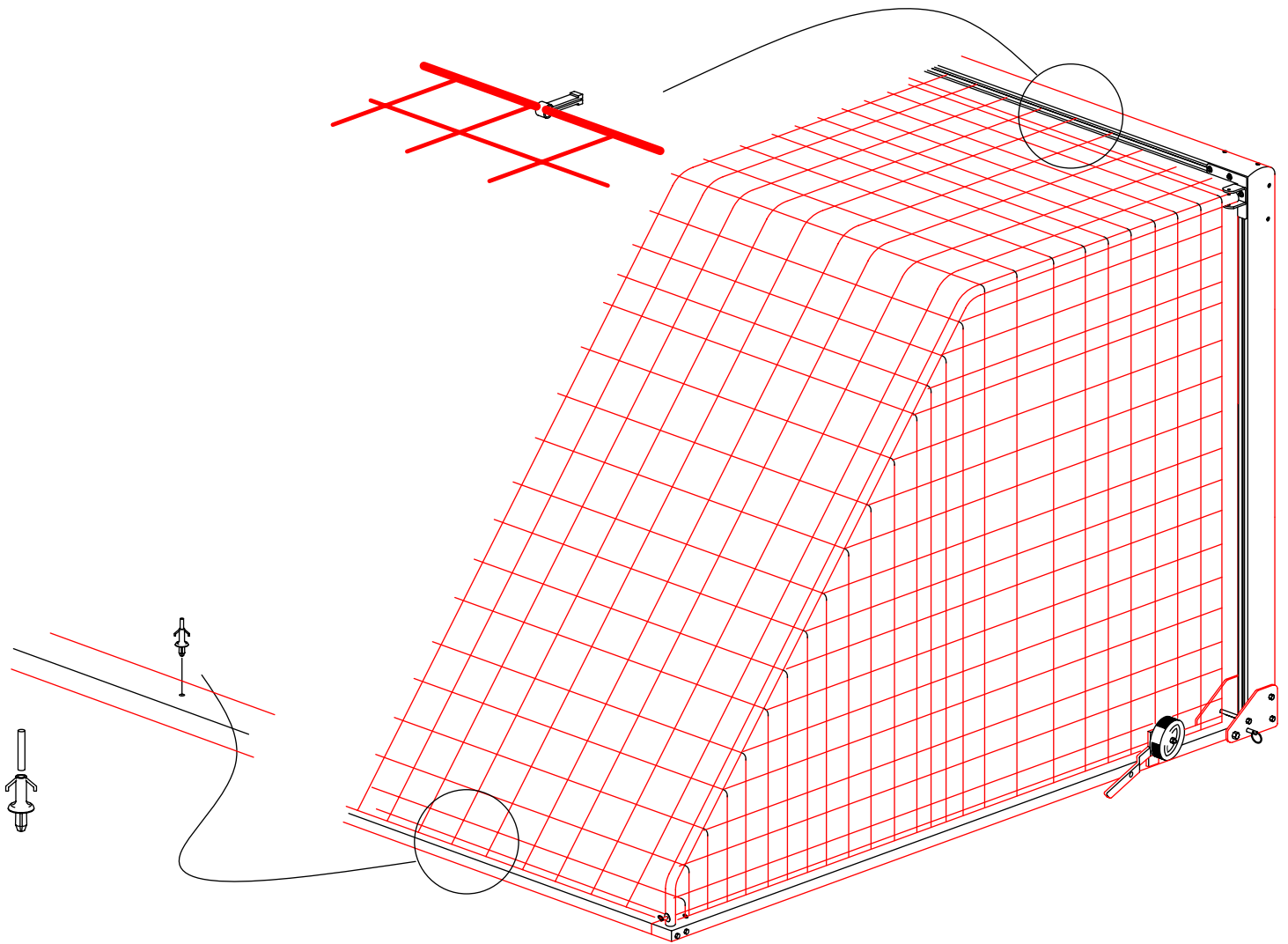
STFRSOCG





ROLL & FOLD SOCCER GOAL #STFRSOCG

Layout the Net on the ground, find the front edge and sides. Pull up over the Backstays to the Crossbar Clip the Net Clip over the edge, insert into groove on Crossbar and Legs and twist to lock in place Space evenly around goal.



To attach the Net Hooks, snap off the Stem, turn around and reinsert into hook slightly. Press each Hook into all the holes located on the Base and press in the stem all the way to lock in Hook the back edge of the Net under each Hook.

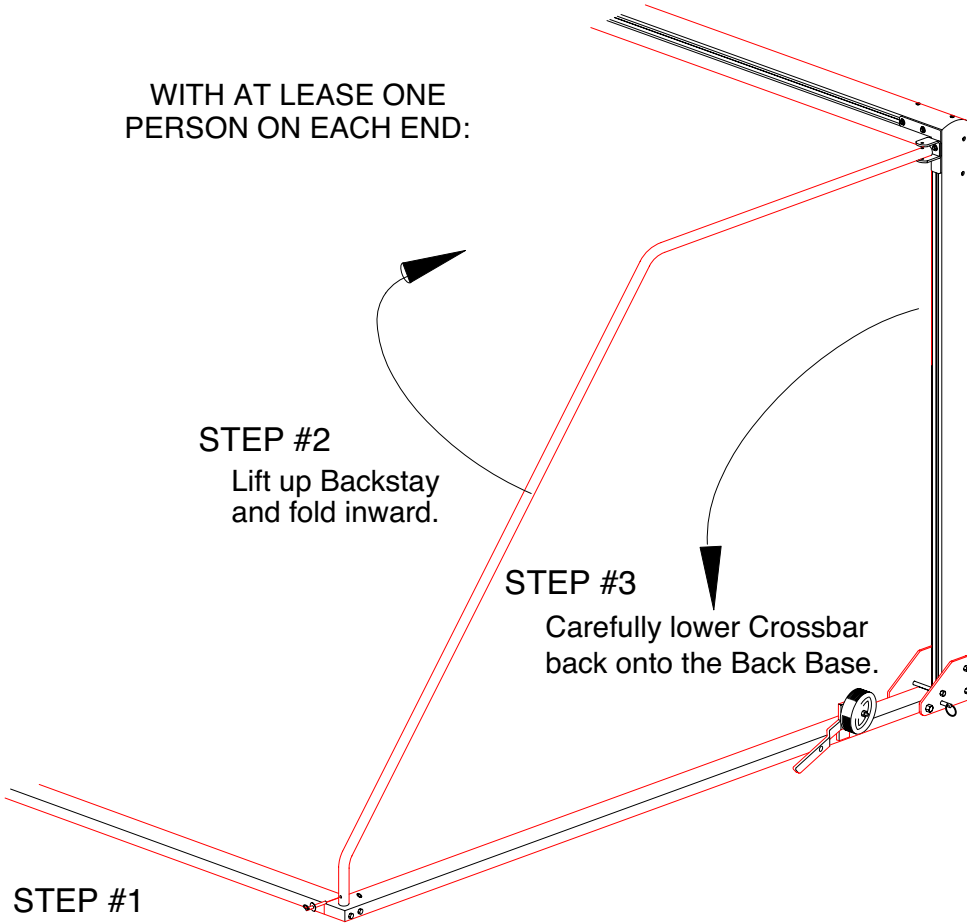
STFRSOCG





ROLL & FOLD SOCCER GOAL #STFRSOCG

WITH AT LEAST ONE PERSON ON EACH END:



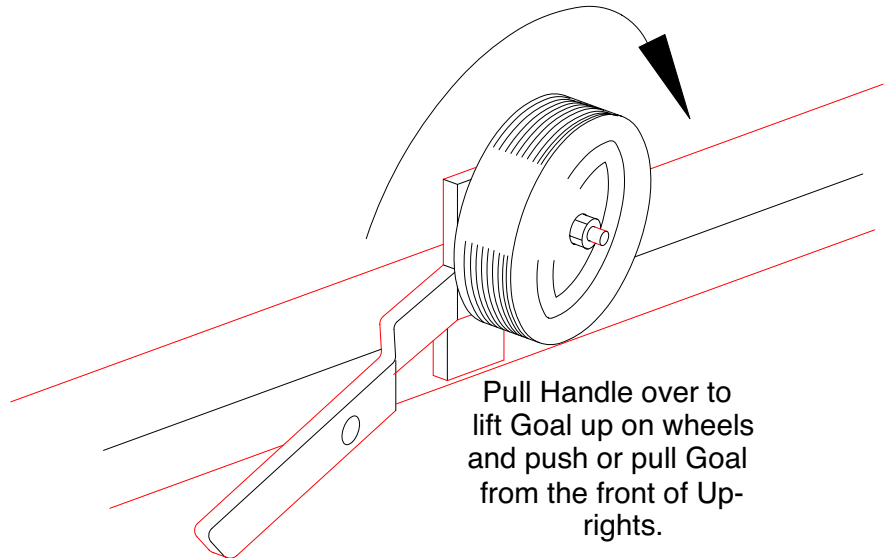
STEP #2
Lift up Backstay and fold inward.

STEP #3
Carefully lower Crossbar back onto the Back Base.

STEP #1
Pull the Hitch Pins

TO FOLD GOAL DOWN
A minimum of two capable people is required to fold down the Goal. Shown without Net for clarity.

TO ROLL GOAL
IT MUST BE IN THE UPRIGHT POSITION



Pull Handle over to lift Goal up on wheels and push or pull Goal from the front of Uprights.

STFRSOCG

